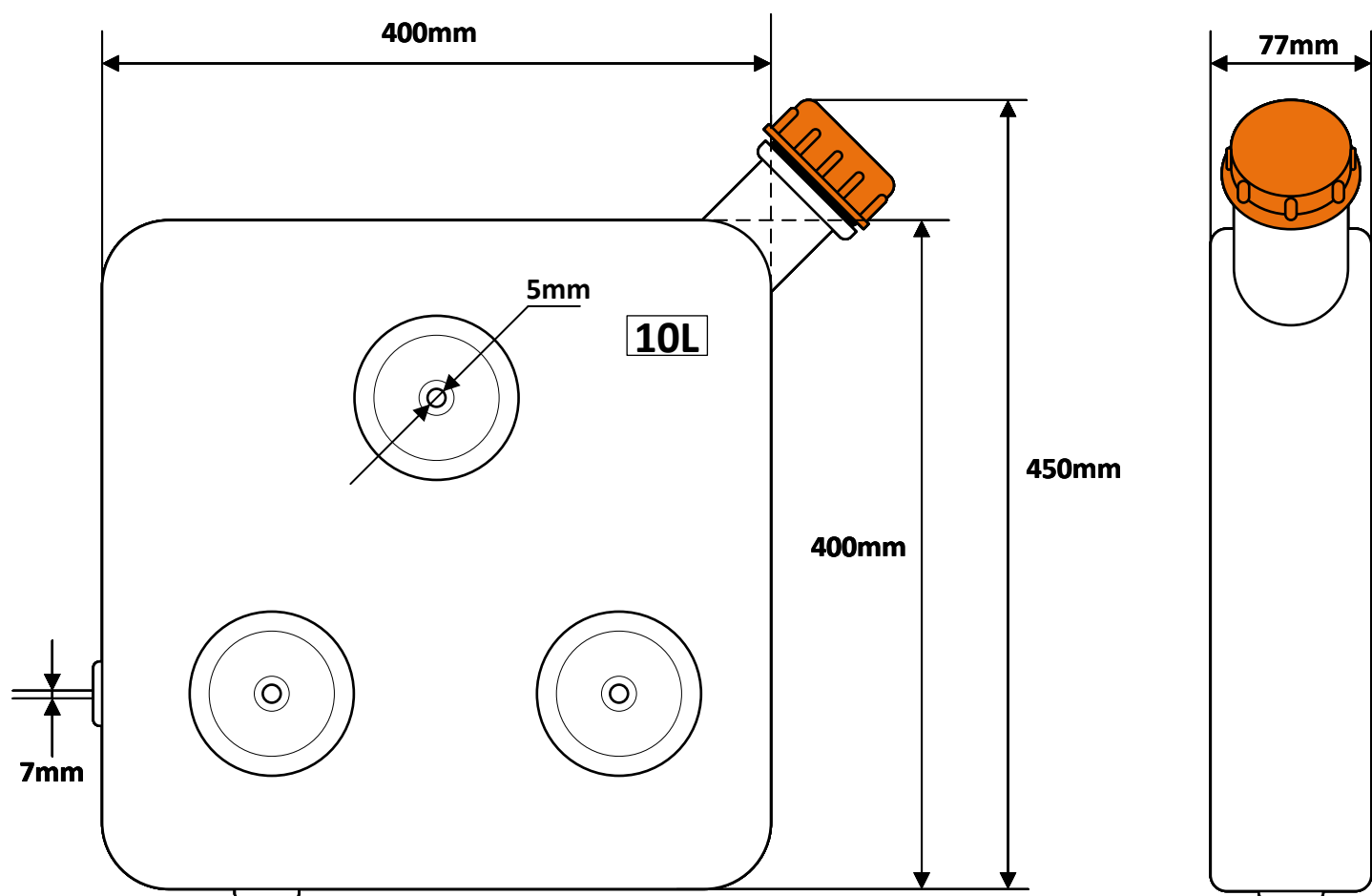


10L Fuel Tank

Fuel Inlet Instructions

- 1) Remove the fitting kit from inside the fuel tank
- 2) Drill a 7mm hole into the pre-moulded side of the fuel tank
- 3) Feed a thin piece of wire through the 7mm hole and out of the top of the tank
- 4) Remove the nut and first rubber O-ring from the inlet stub
- 5) Tie the end of the wire around the lip of fuel inlet stub
- 6) Begin to pull the wire back through the 7mm hole until the fuel inlet stub comes through
- 7) Once the inlet stub is all the way through, remove the wire and place the O-ring and nut back on the end to secure it in place



MV Heating (UK) Limited

Unit 6, Second Avenue Business Park, Millbrook, Southampton, Hants SO15 0LP
Telephone: 023 8052 2345 Fax: 023 8052 8808 Email: sales@mvheating.com
www.mvheating.com